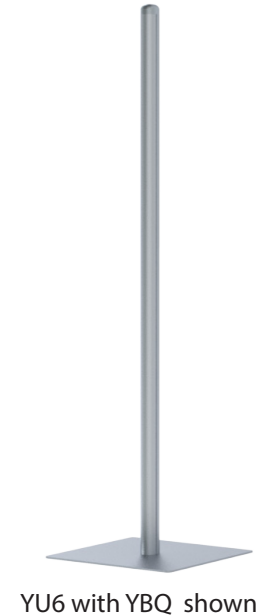
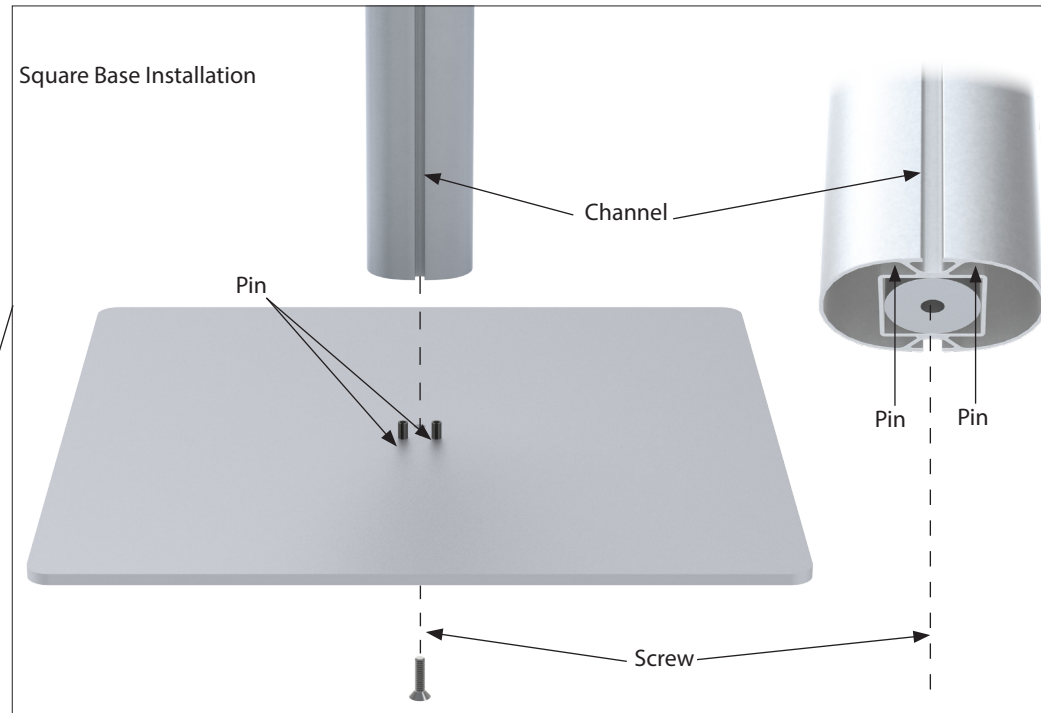
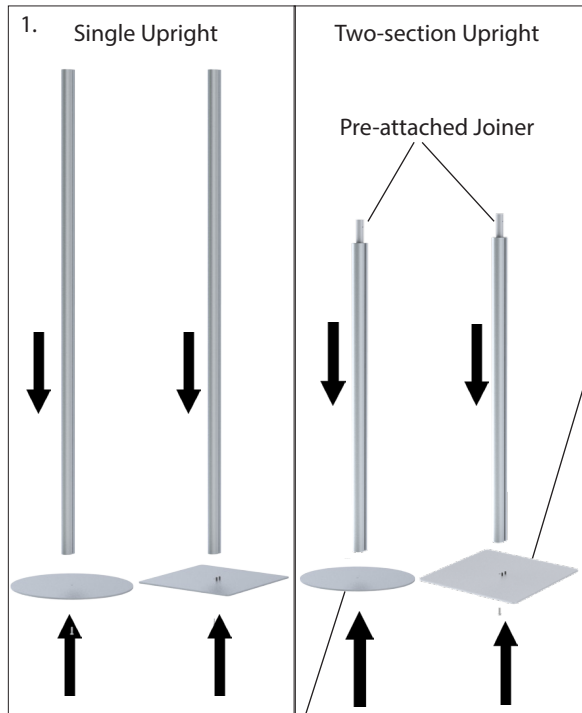


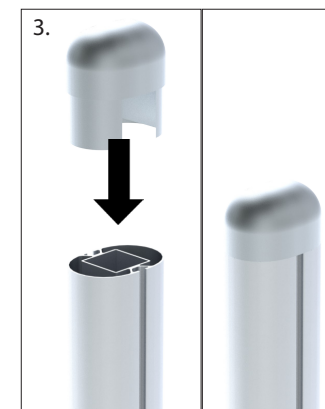
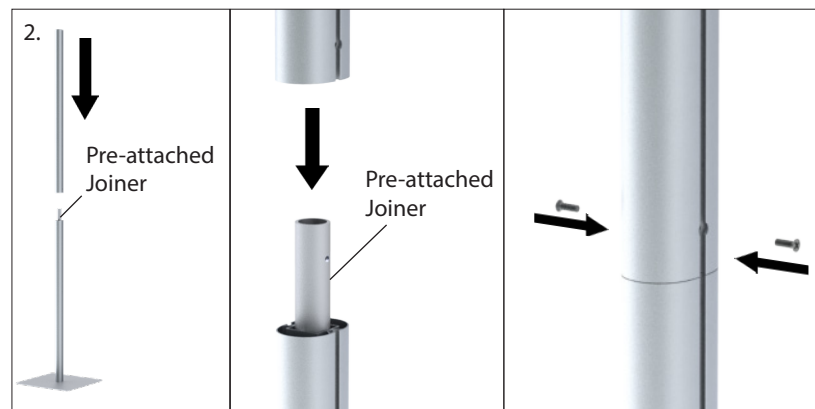
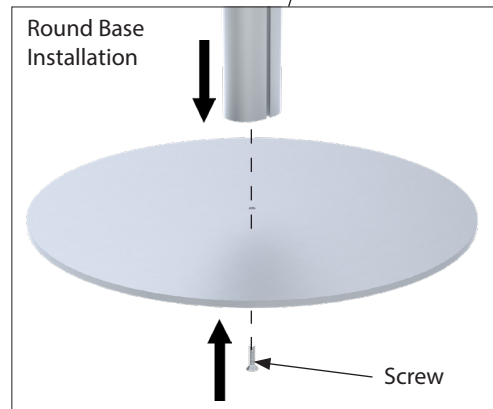
# SignPost System™ Upright - YU Series

For ALL 96" units (YU8 Series) or taller, the uprights are split in two sections. Each bottom section has a pre-attached joining tube sticking out of the top end.

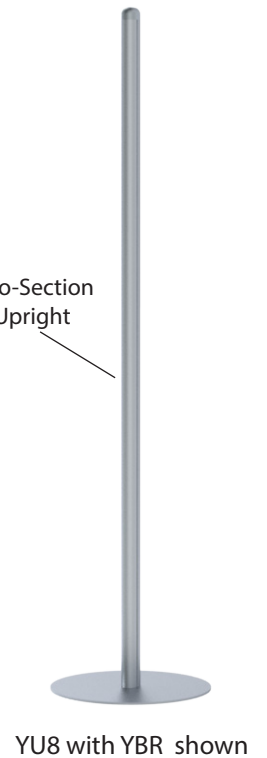
1. Attach upright (or bottom section of two-section upright) to base using hex screw provided. **FOR SQUARE BASE ONLY:** Align pins with underside of upright as shown below.
2. **FOR THE TWO-SECTION UPRIGHTS ONLY:** Connect the upper section of the upright to the lower section using the two Phillips screws provided, as shown below.
3. Place plastic cap on top of upright to complete assembly.



YU6 with YBQ shown



Two-Section Upright



YU8 with YBR shown